

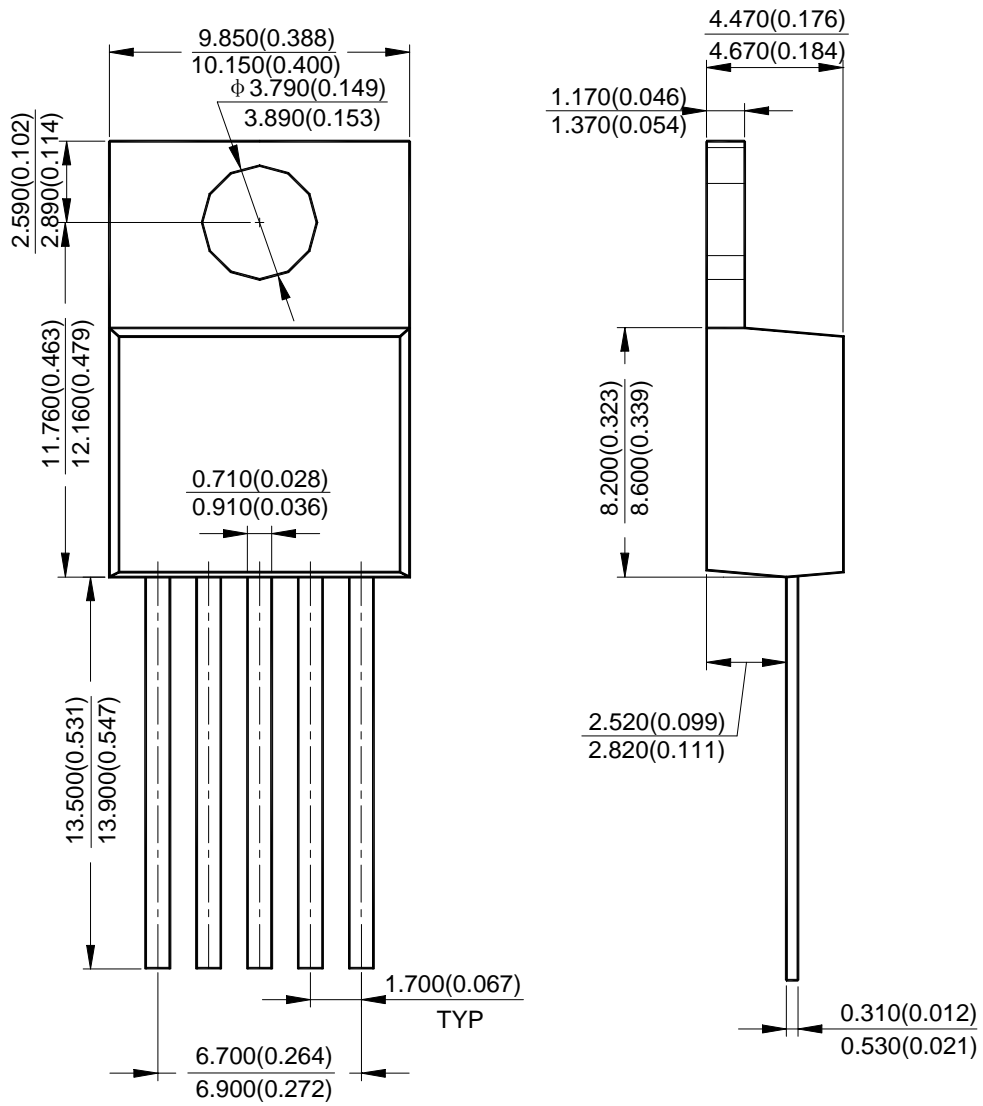


Packaging Information

Mechanical Dimensions

TO-220-5

Unit: mm(inch)





Packaging Information

TO-220-5

