

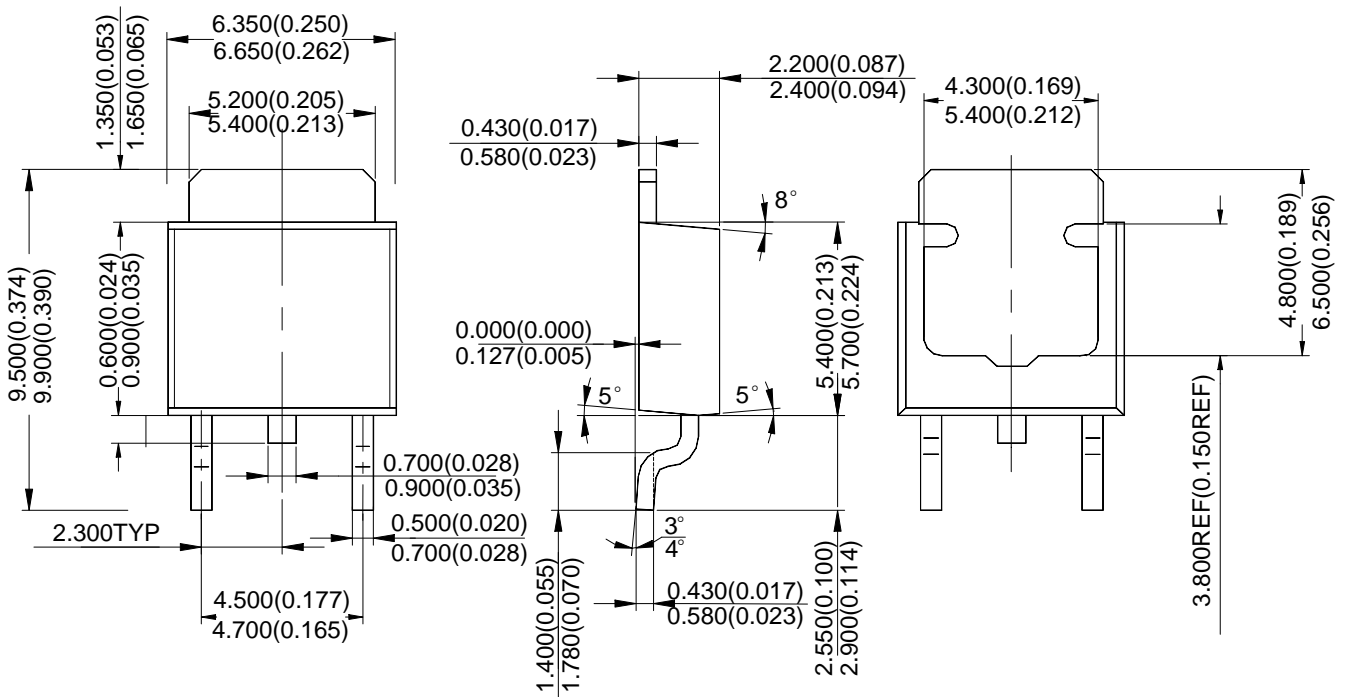


Packaging Information

Mechanical Dimensions (Continued):

TO-252-2(1)

Unit: mm(inch)





Advanced Analog Circuits

Packaging Information

TO-252-2(1)

