

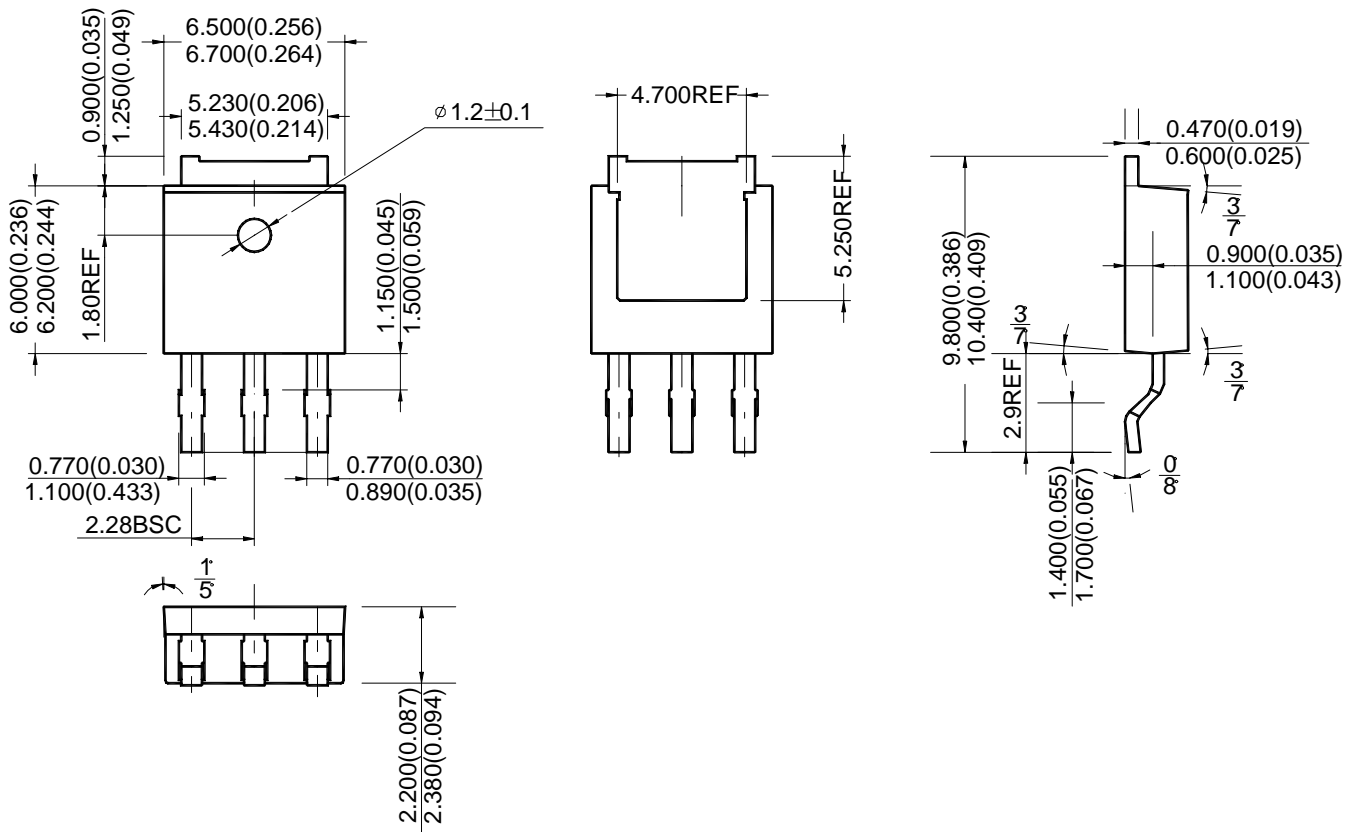


Packaging Information

Mechanical Dimensions (Continued):

TO-252-3(2)

Unit: mm(inch)





Packaging Information

TO-252-3(2)

