

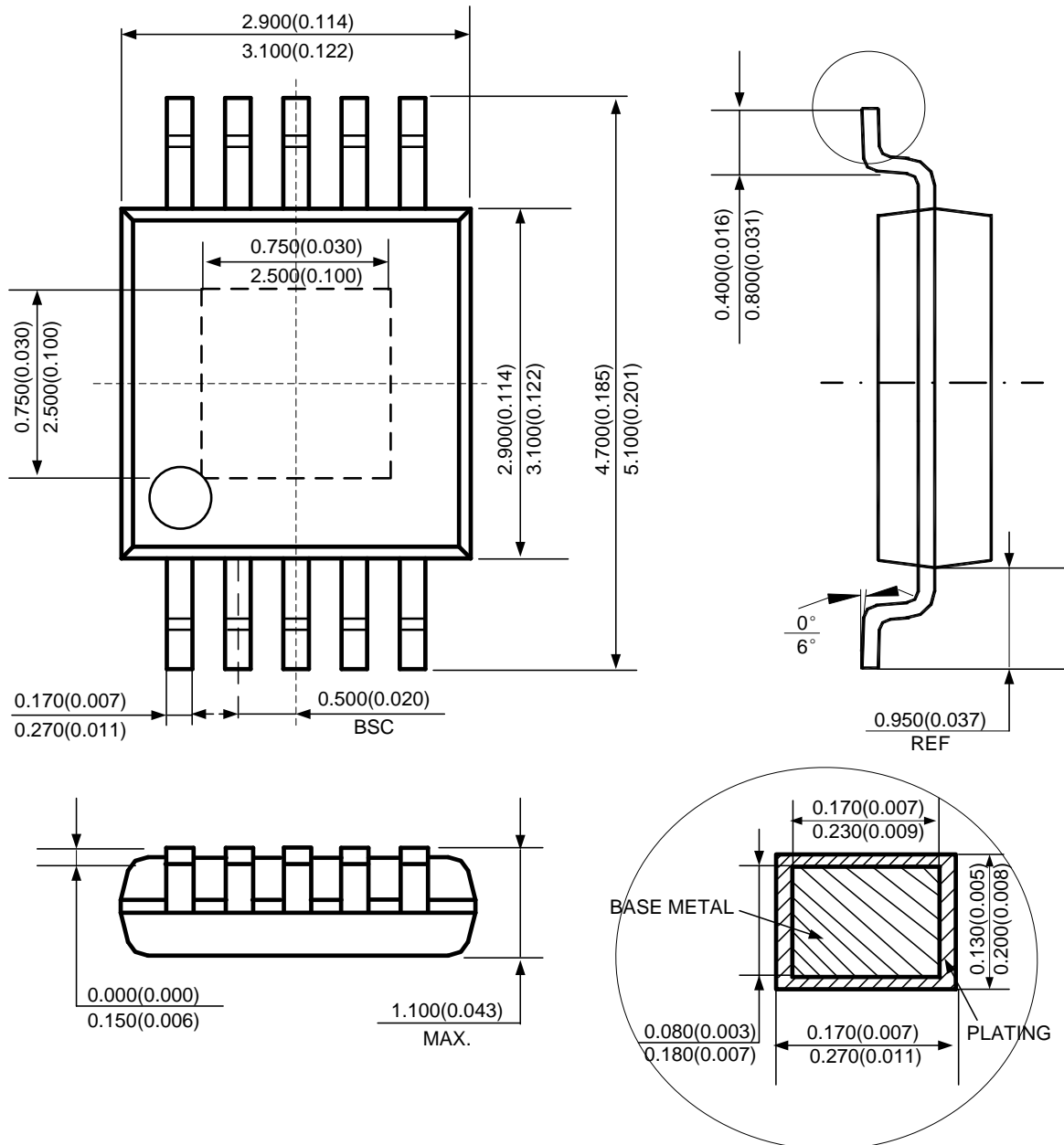


Packaging Information

Mechanical Dimensions

HMSOP-10

Unit: mm(inch)



- Note: 1. Eject hole, oriented hole and mold mark is optional.
2. The figure of exposed pad is not restrained as regular rectangle.



Packaging Information

HMSOP-10

