

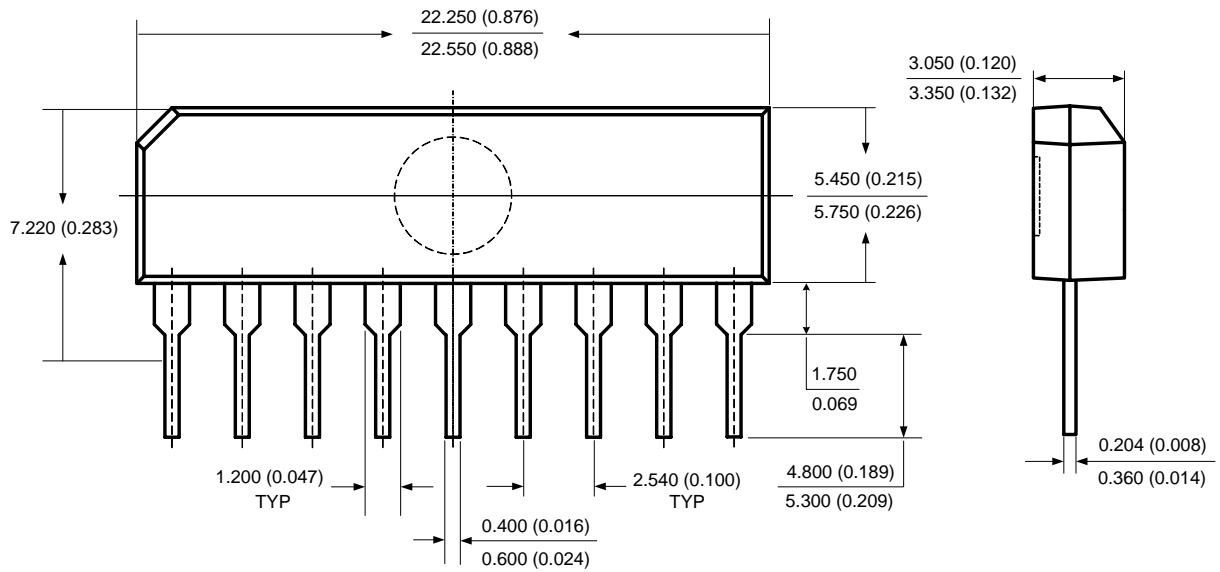


## Packaging Information

### Mechanical Dimensions

SIP-9

Unit: mm(inch)





## Packaging Information

### SIP-9

