

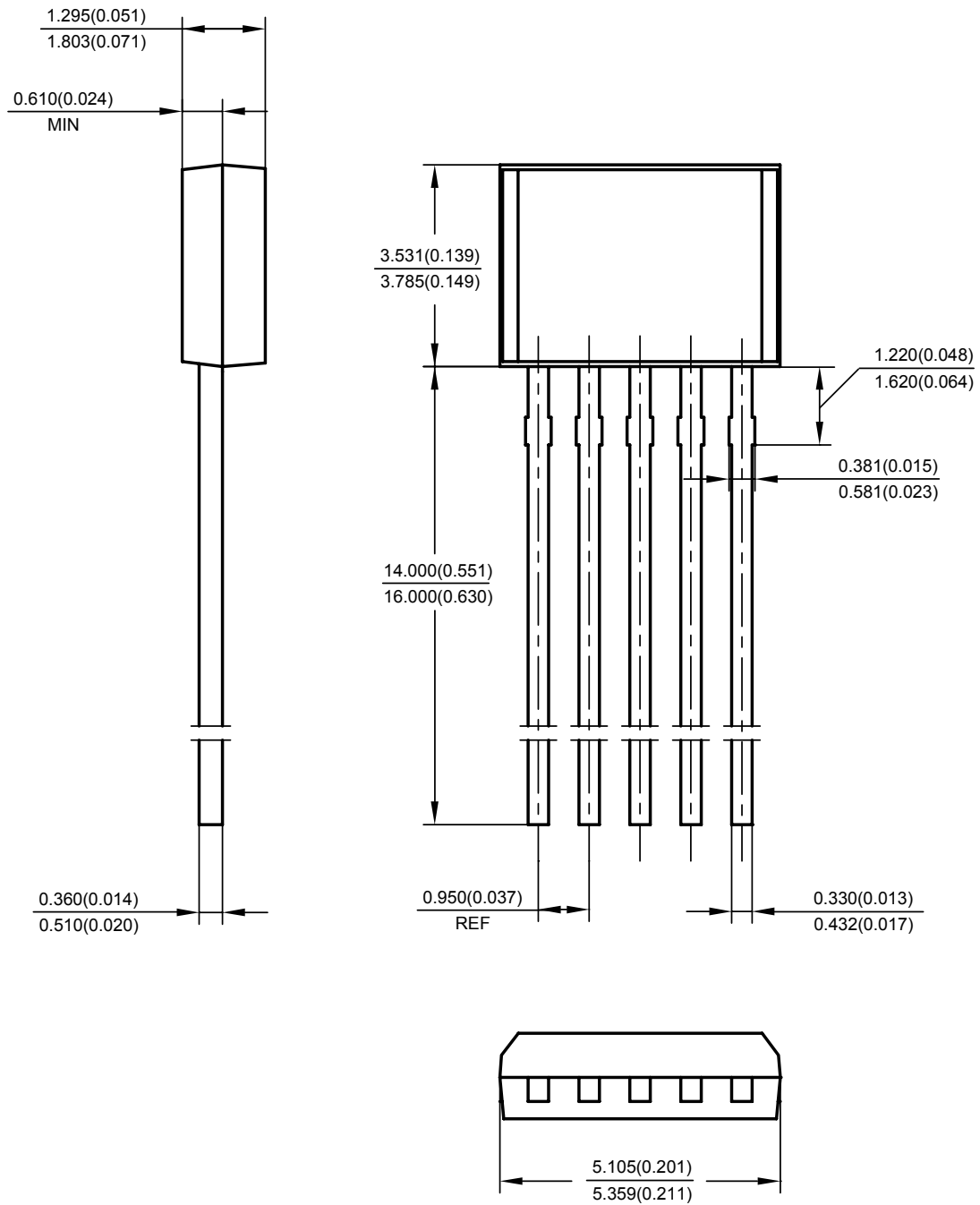


# Packaging Information

## Mechanical Dimensions

TO-95

Unit: mm(inch)





## Packaging Information

TO-95

