

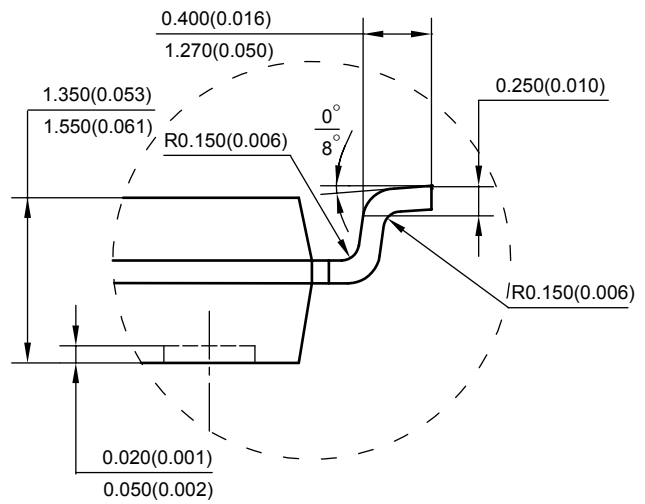
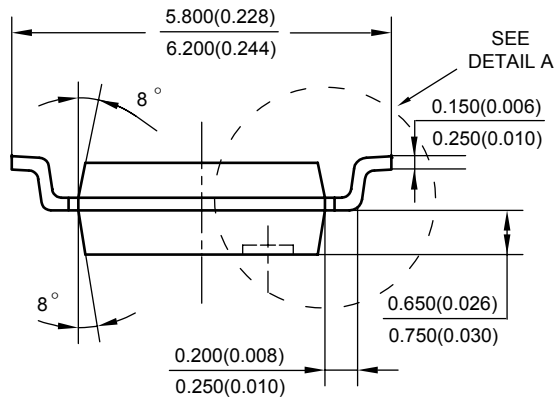
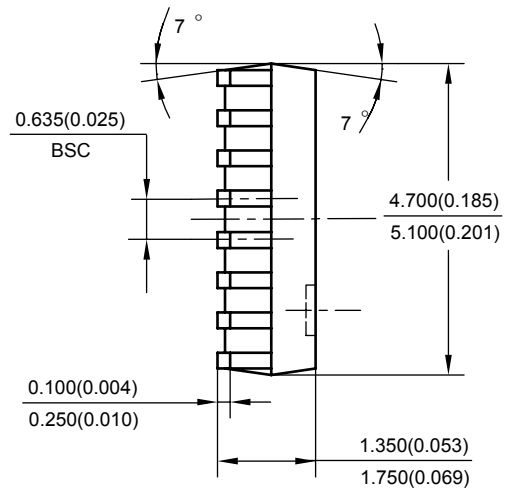
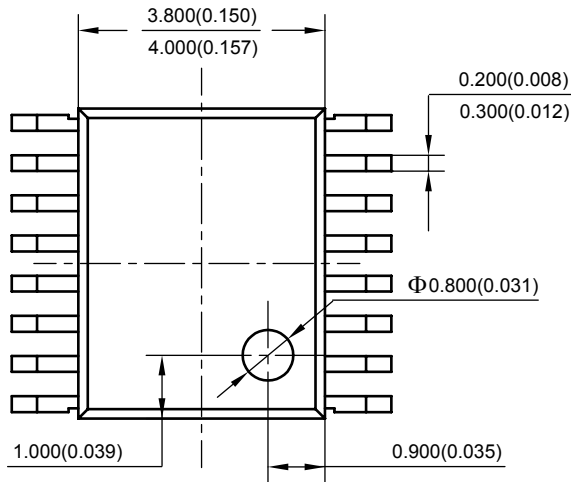


Packaging Information

Mechanical Dimensions

SSOP-16

Unit: mm(inch)



DETAIL A



Packaging Information

SSOP-16

