

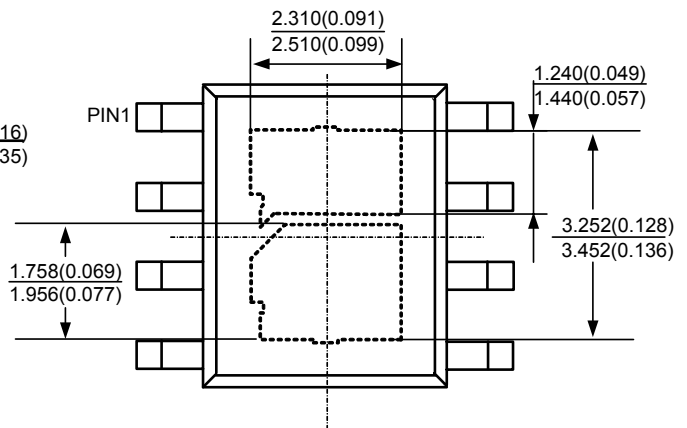
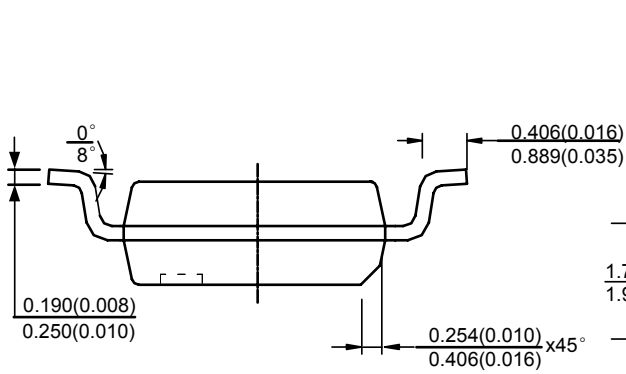
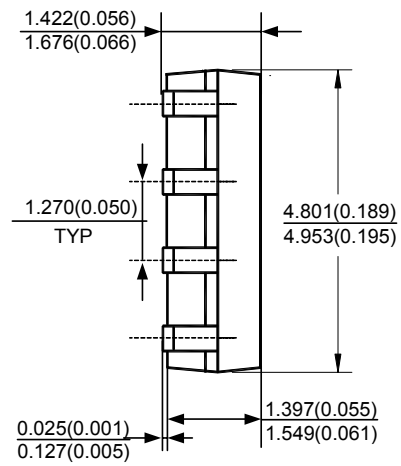
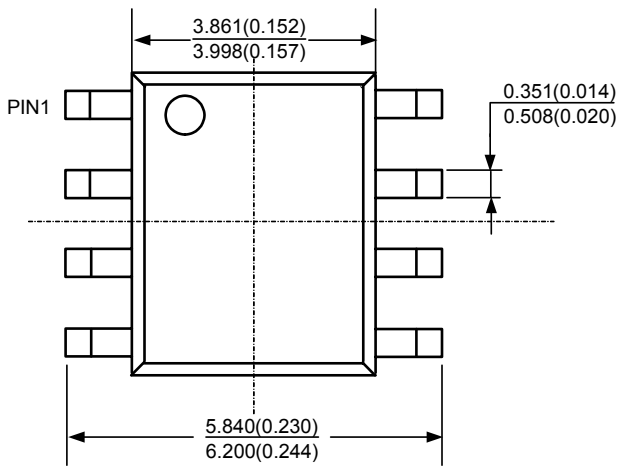


Packaging Information

Mechanical Dimensions

PSOP-8(D)

Unit: mm(inch)



Note: Eject hole, oriented hole and mold mark is optional.



Packaging Information

PSOP-8(D)

