

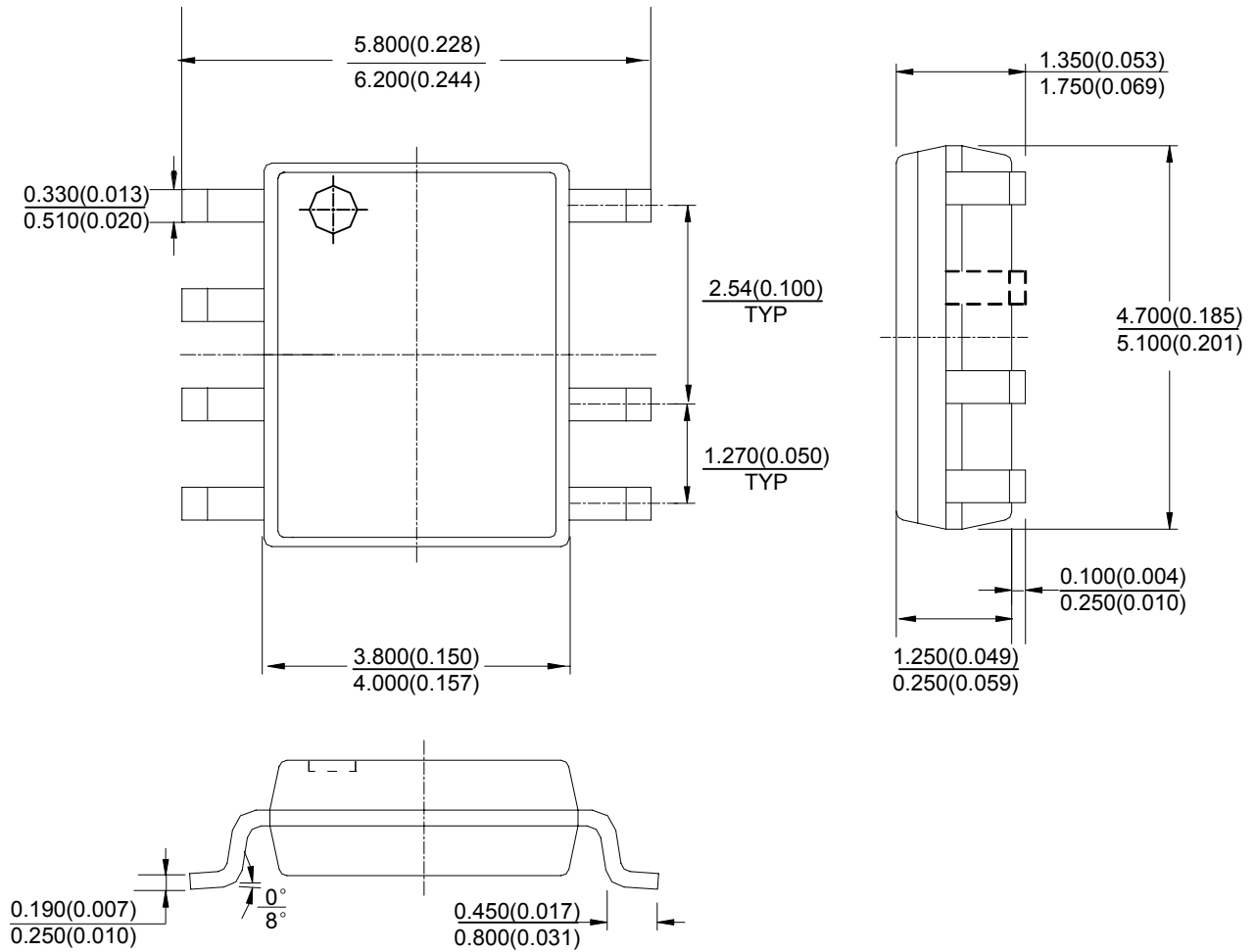


Packaging Information

Mechanical Dimensions

SOIC-7

Unit: mm(inch)



Note: Eject hole, oriented hole and mold mark is optional.



Packaging Information

SOIC-7

