

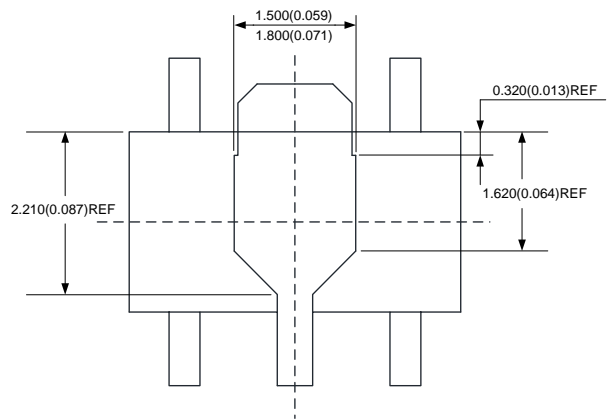
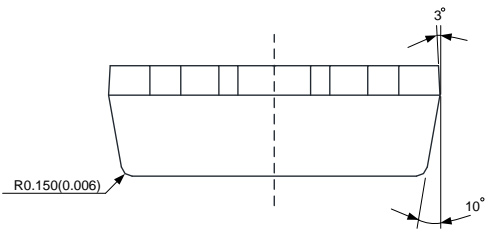
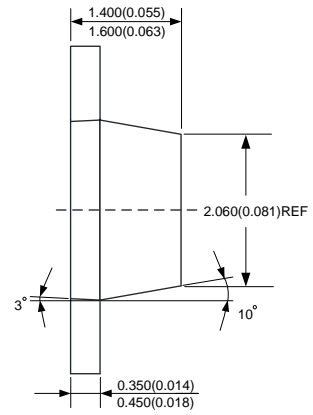
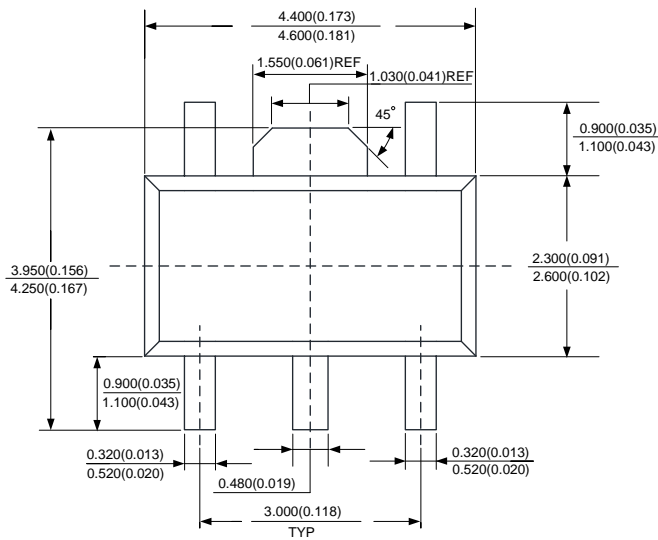


# Packaging Information

## Mechanical Dimensions

SOT-89-5

Unit: mm(inch)





## Packaging Information

### SOT-89-5

