

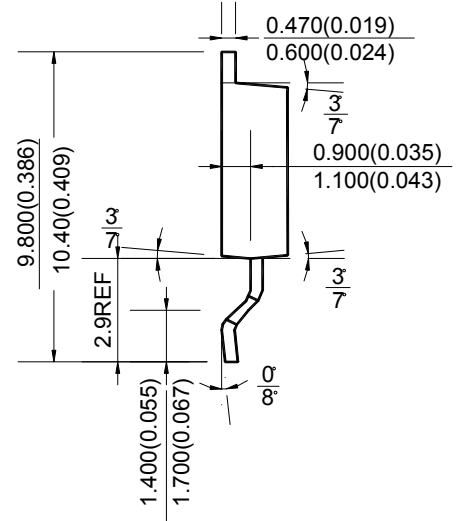
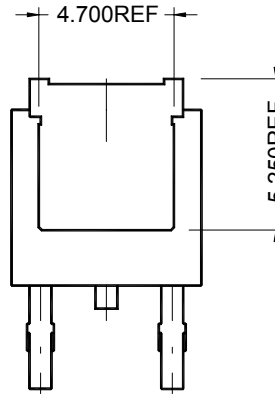
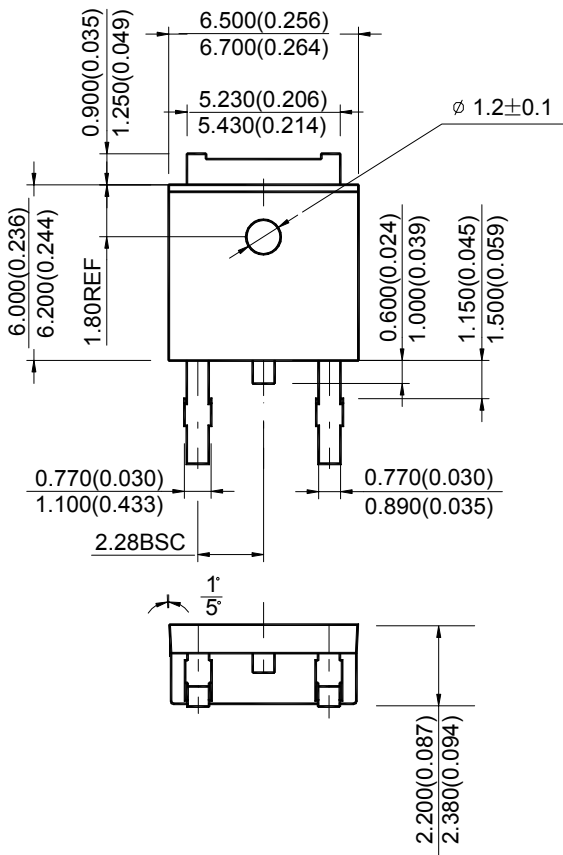


## Packaging Information

### Mechanical Dimensions

TO-252-2 (2)

Unit: mm(inch)





---

---

## Packaging Information

---

---

### TO-252-2 (2)

