

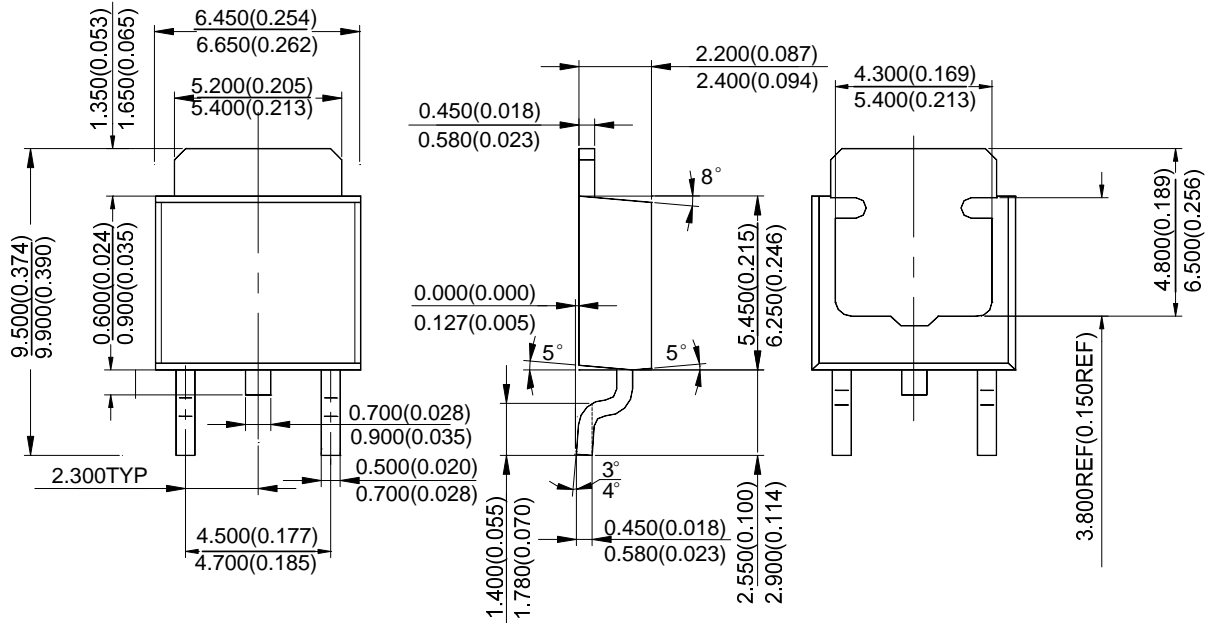


Packaging Information

Mechanical Dimensions

TO-252-2(1)

Unit: mm(inch)





Packaging Information

TO-252-2(1)

