

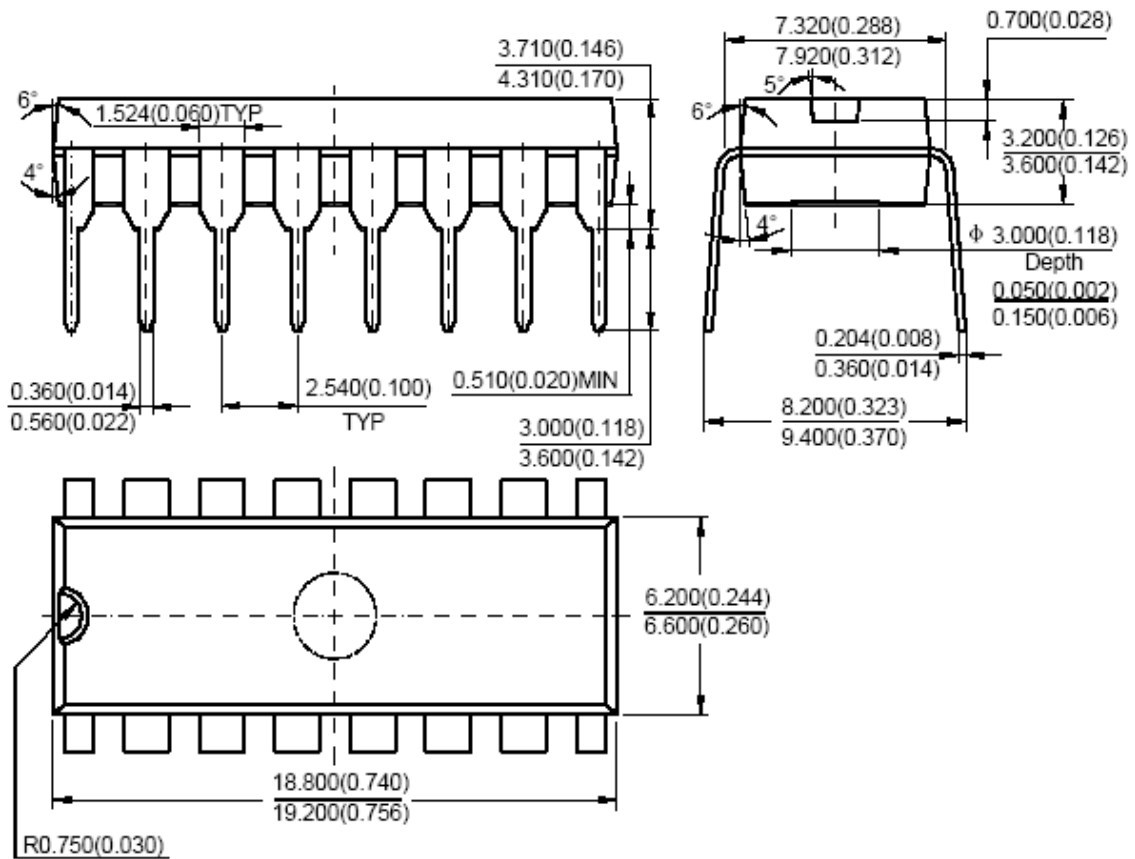


## Packaging Information

### Mechanical Dimensions

DIP-16

Unit: mm(inch)



Note: Eject hole, oriented hole and mold mark is optional.



---

---

## Packaging Information

---

---

### DIP-16

