

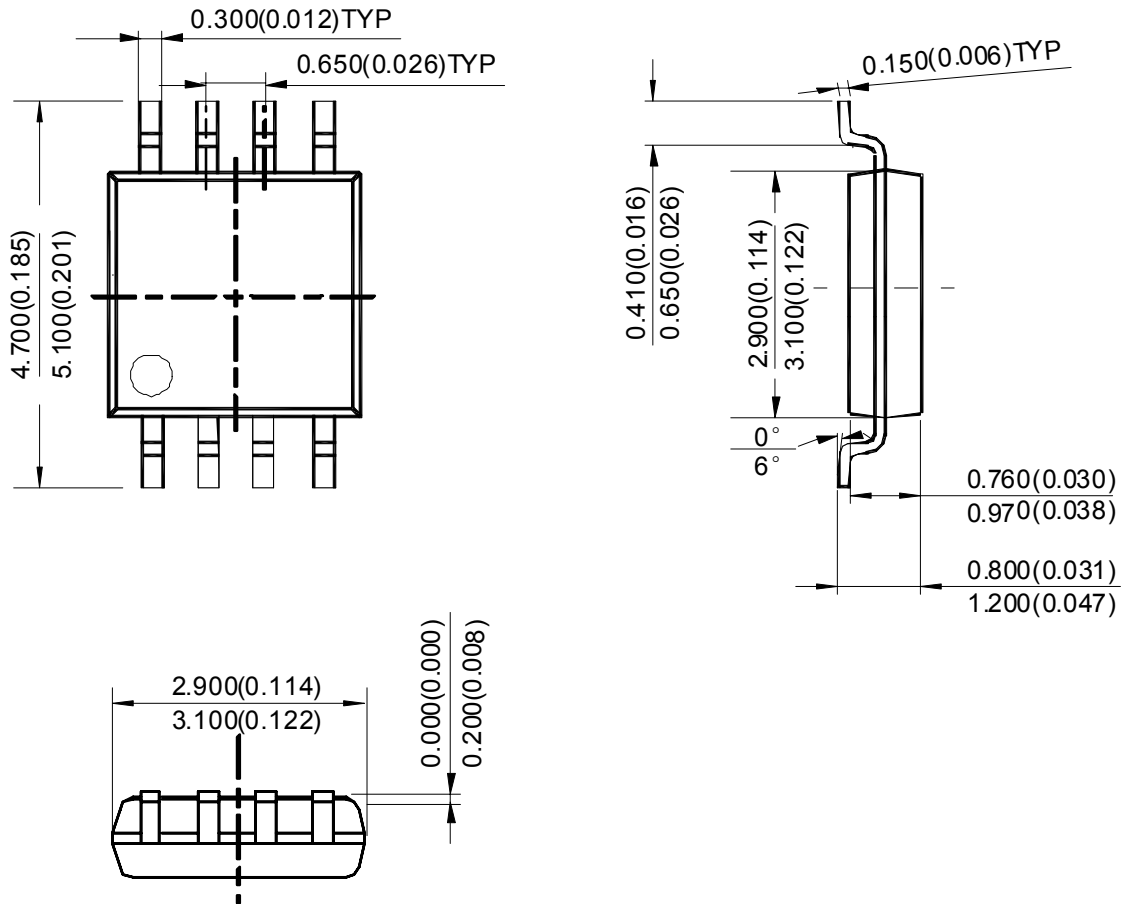


## Packaging Information

### Mechanical Dimensions

MSOP-8

Unit: mm(inch)



Note: Eject hole, oriented hole and mold mark is optional



---

---

## Packaging Information

---

---

### MSOP-8

