

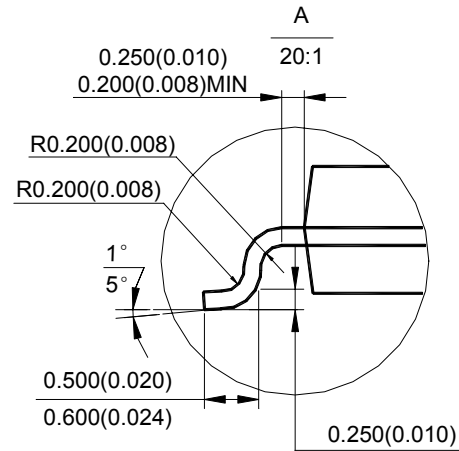
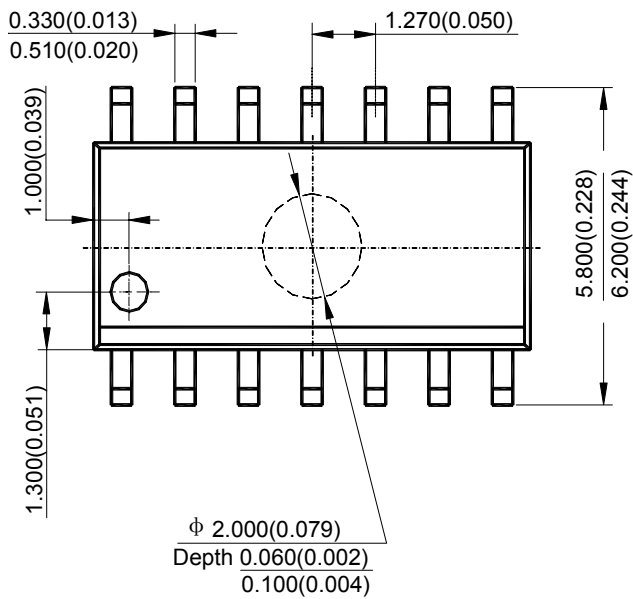
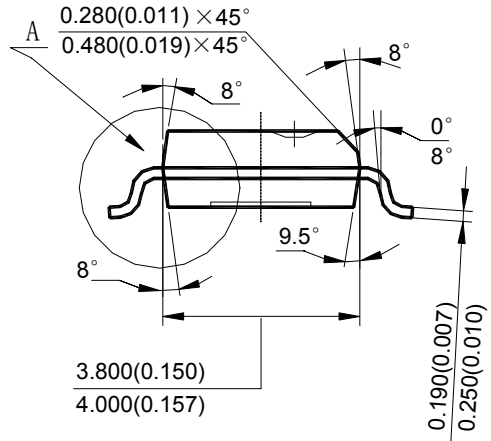
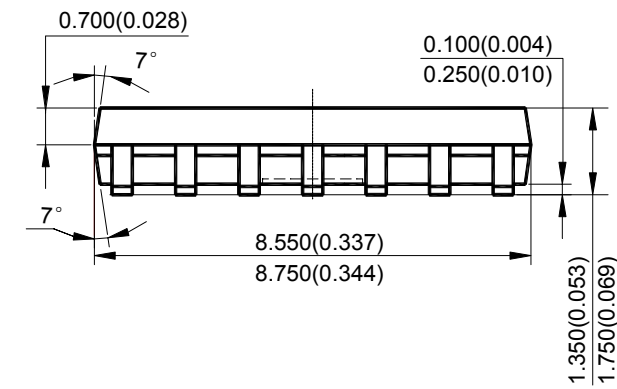


# Packaging Information

## Mechanical Dimensions

SOIC-14

Unit: mm(inch)



Note: Eject hole, oriented hole and mold mark is optional.



---

---

## Packaging Information

---

---

### SOIC-14

